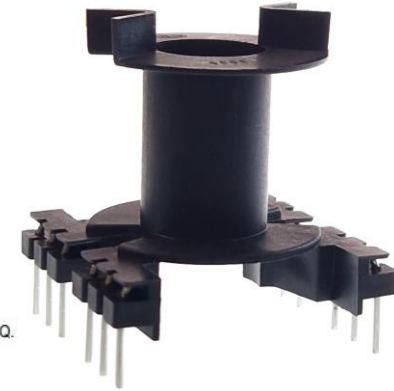
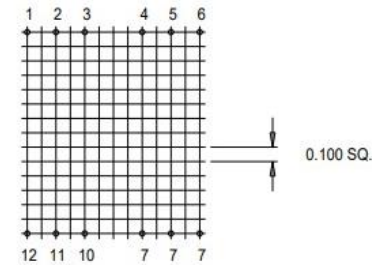
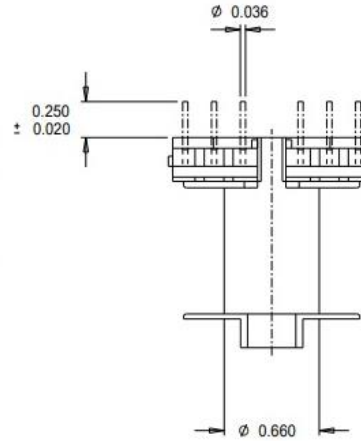
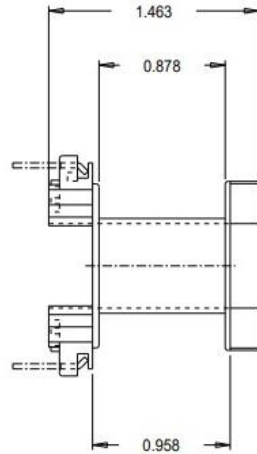
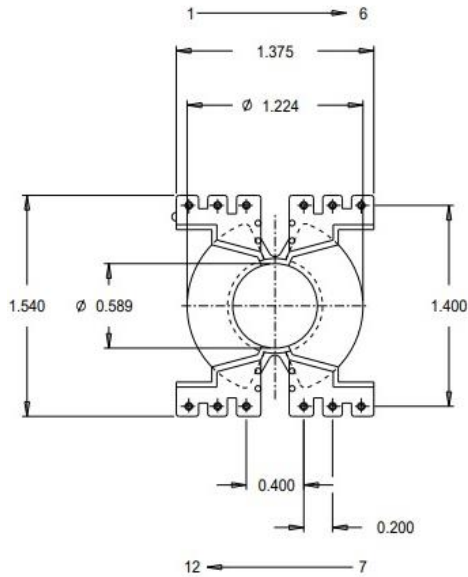




# PQ0070



Part Number PQ0070	Part Weight (g) 7.9	Carton Quantity 400	Pinning Configuration TPB-RD-090 1:2:3:4:5:6:7:8:9:10:11:12:
Order Code PQ0070FR3BLK0001	Material Rynite FR530L	Carton Size (mm) 465x315x260	Pin Length (INCHES) (from standoff) 0.25
Part Description Bobbin PQ3535 V 12P 1S UL94V0	<a href="#">Material Datasheets</a>	Related Items n/a	Terminal Pin Material Phosphor Bronze
Product Range PQ Range	UL Rating UL94V0	3D CAD Image	<a href="#">Compliance information</a>

## MILES - PLATTS

+44 (0)116 264 3850

[milesplatts.co.uk](http://milesplatts.co.uk)

[enquiries@milesplatts.co.uk](mailto:enquiries@milesplatts.co.uk)